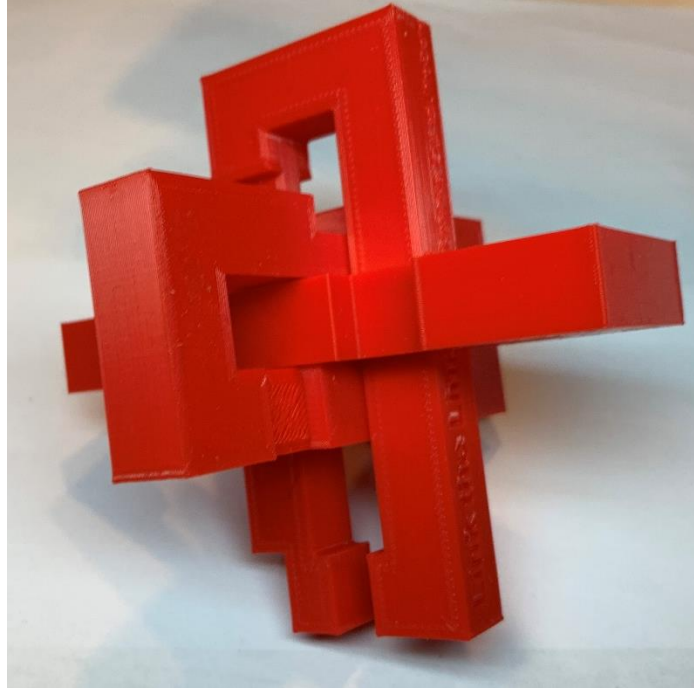


## Link the Links



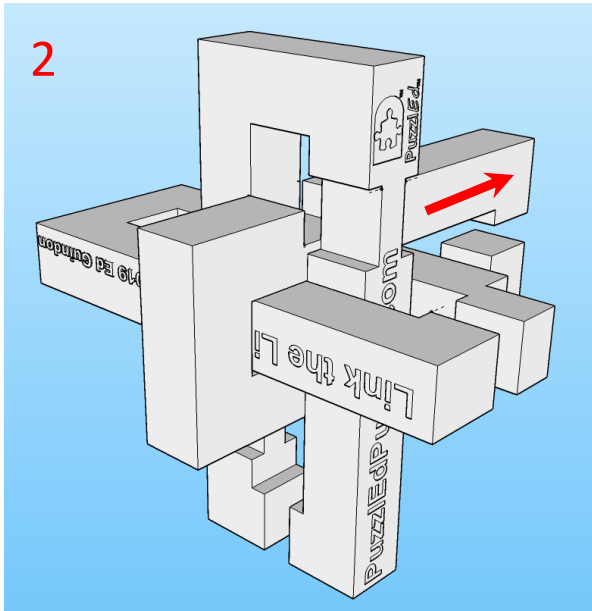
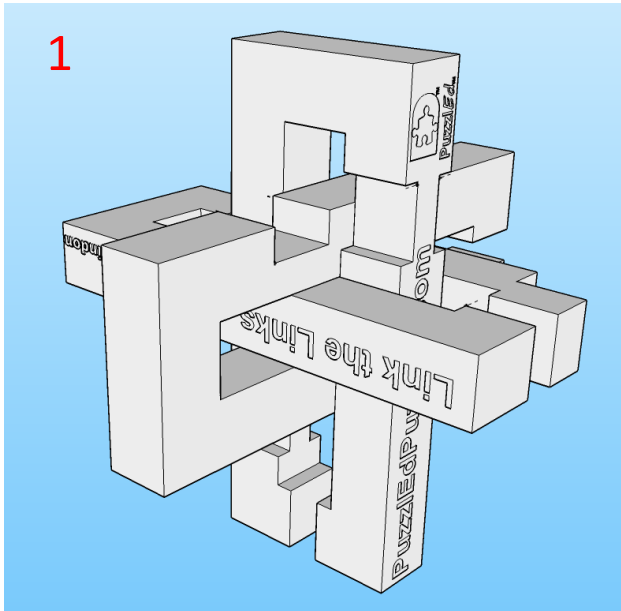
**Goal:** To disassemble the three interlocking links and then to put them back together

**How it Works:** This puzzle consists of three rectangular links that can be interlocked together in a criss-cross manner. Each link has an opening at one end and some combination of notches that allow one to assemble the three individual pieces together or disassemble them if they are already together.

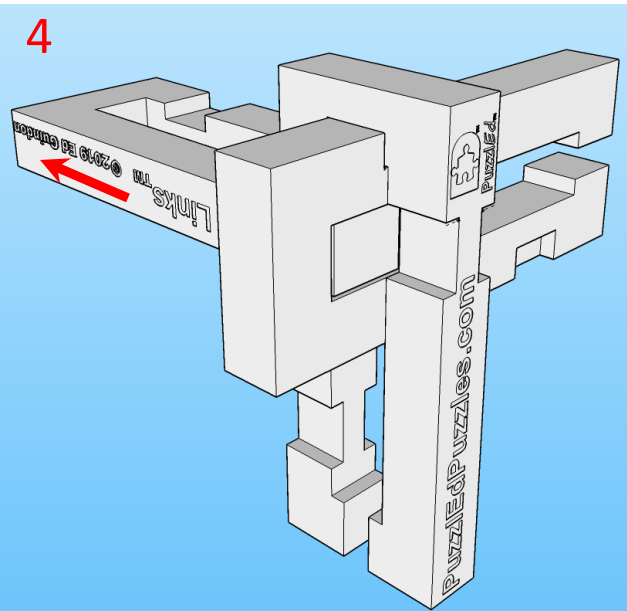
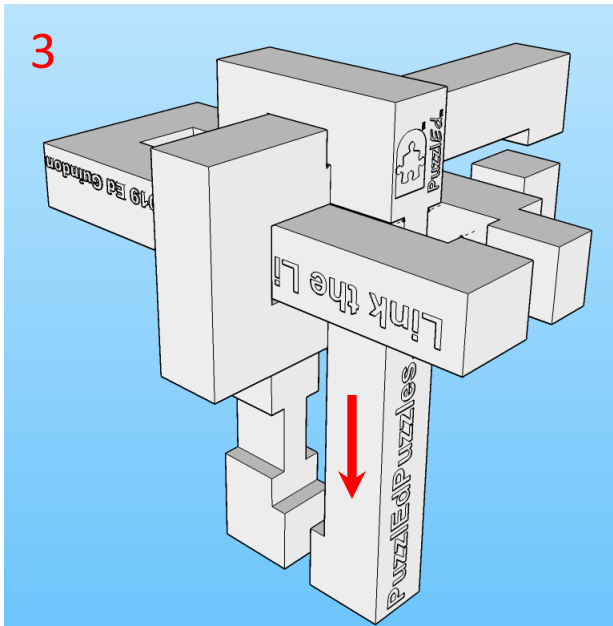
It is a little harder putting it back together than taking it apart unless one pays close attention to each step of the disassembly. There is absolutely no force required to assemble or disassemble this puzzle.

**Strategy:** It is clear that the openings in the ends of the links must play a role in taking the links apart. Which link would allow a different link to slide completely across the width of the link? How do the notches help, especially in getting things aligned? Pay attention as you take it apart to help in putting it back together.

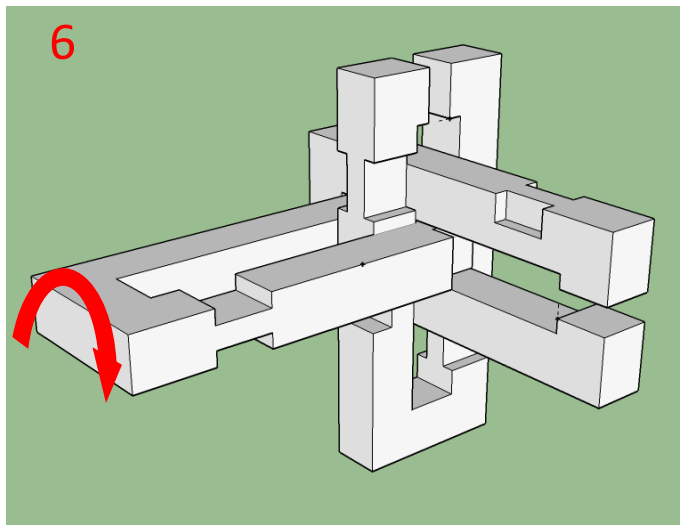
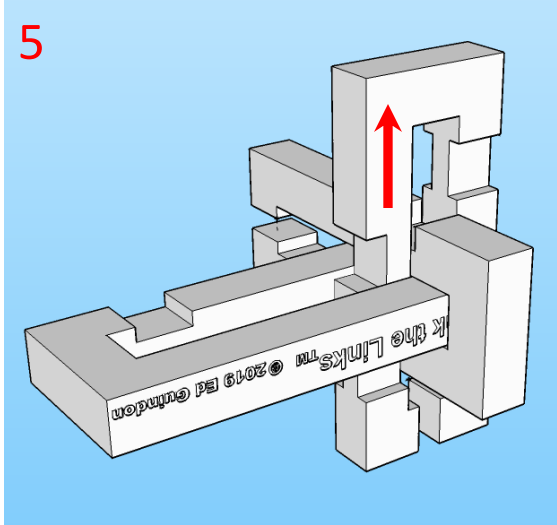
Solution is shown on the following pages.



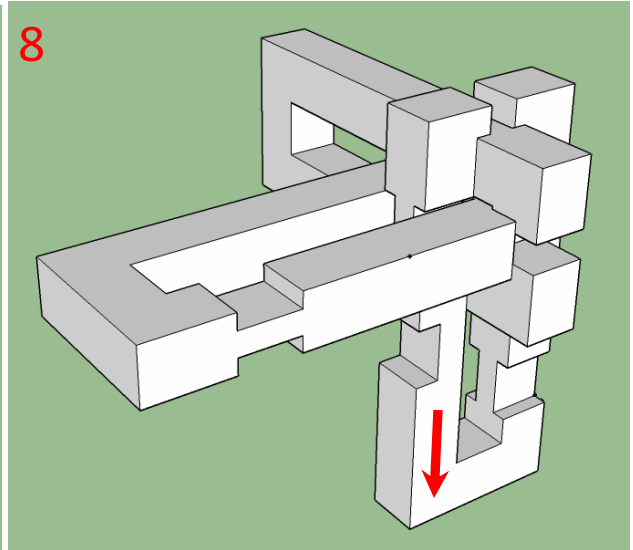
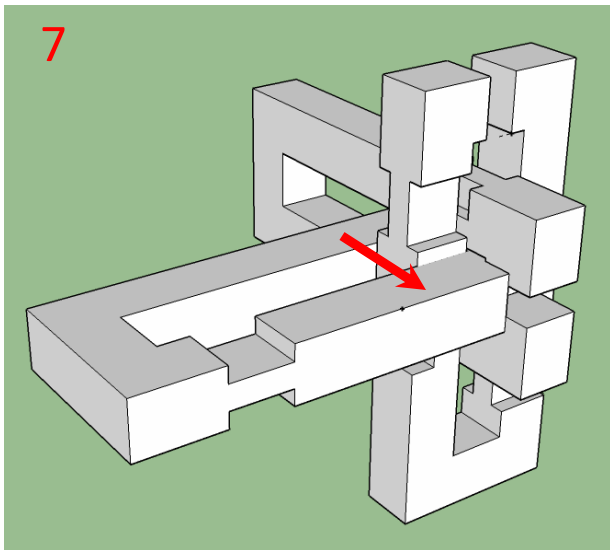
1. First orient the puzzle as shown in 1 above. 2. Slide horizontal link to the right as shown.



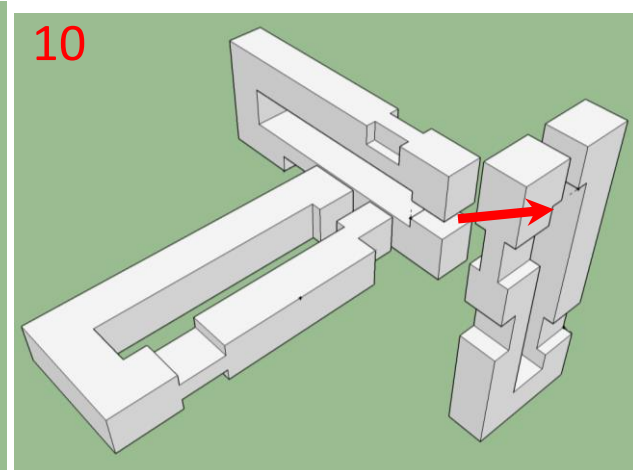
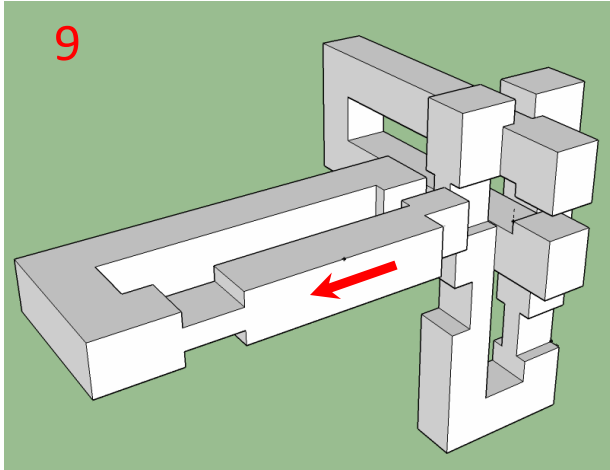
3. Slide vertical link down into notch as shown. 4. Slide horizontal link to left until end is clear of vertical link.



5. Slide vertical link up out of notch. 6. Rotate assembly 180 degrees so vertical link has opening at top.



7. Move horizontal and vertical links to right as shown. 8. Drop vertical link into notches as shown.



9. Slide horizontal link to the left and free from the assembly. 10. Disengage vertical link from notches and links are now disassembled! Reverse to reassemble.

